

ADDITIONAL ADAPTERS [MLC-x]

Cable Products, Hardline Connectors

MLC-FTC-x: Feed through Connector

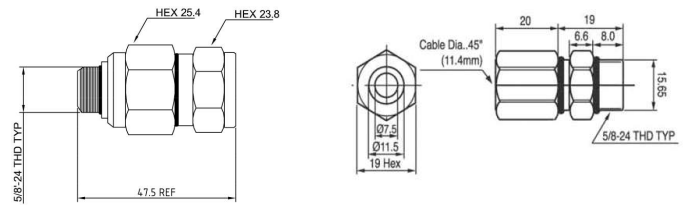
- Standard Quantity: 10 pcs



QR540

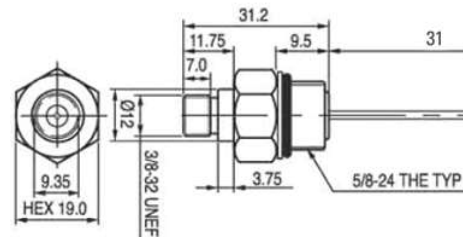
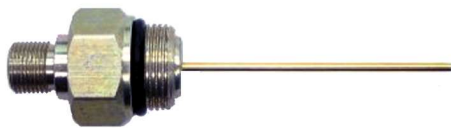


RG11



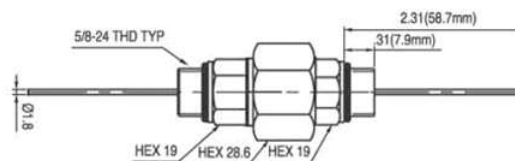
MLC-F: Connector to F Port

- Standard Quantity: 10 pcs



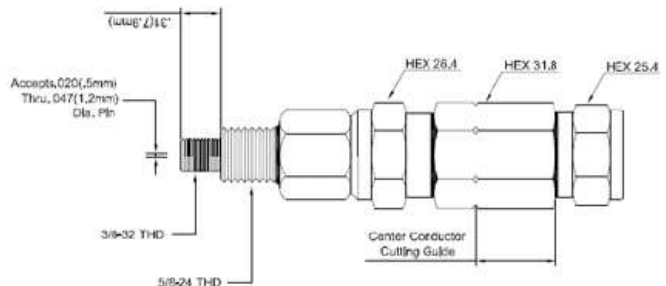
MLC-HH-R: Housing to Housing Connector

- Standard Quantity: 10 pcs



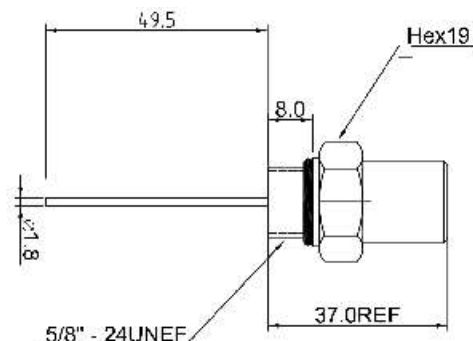
MLC-500F: F to Female/Male Connector

- Standard Quantity: 10 pcs



MLC-TRM: 75 Ohm Housing Terminator

- Standard Quantity: 10 pcs



Ordering Information

MLC - X - X

QR540, RG11 (FTC only)

FTC, F, HH-R, 500F, or TRM